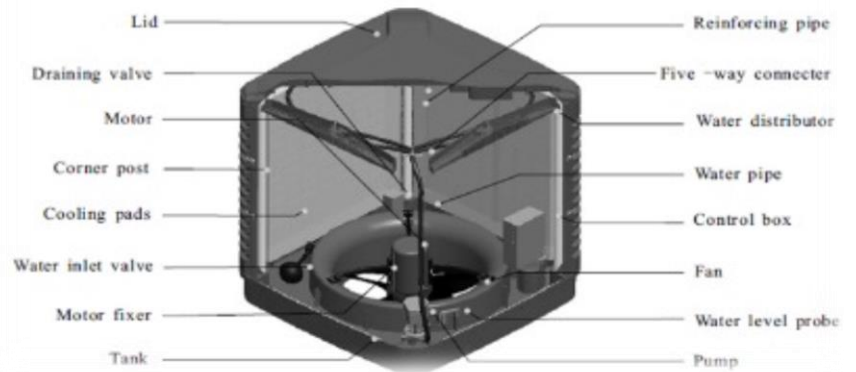
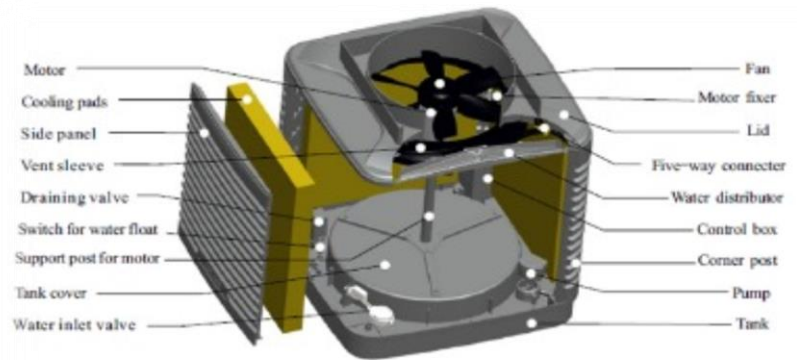


OKM-30AXP (T)



MODEL SPECIFICATIONS:

AIRFLOW	30,000M3/HR
PRESSURE	366/160 PA
OUTPUT POWER	3.0/1.0 KW
VOLTAGE /FREQUENCY	415V/50HZ
FAN TYPE	AXIAL
FAN SPEED	THREE-PHASE , TWO-SPEED
RATE CURRENT	7.1/3.5
NET WEIGHT	152KG
OPERATION WEIGHT	207KG
NOISE	< 80DBA
SIZE (L X W X H)	1250MM X 1250MM X 1426MM

TARMAH VENTILATION SYSTEM MANUFACTURER SDN. BHD.

ADDRESS : LOT 2286, JALAN BUKIT PASIR, BUKIT PASIR,
83050 BATU PAHAT, JOHOR, MALAYSIA.

CONTACT: +607-431 0923 (Ext.206)

FAX: +607-433 3529

EMAIL: lixfang@tarmah.com.my

(SHIRE LI): +6016-723 0889
(MR. HOO): +6016-338 0248

